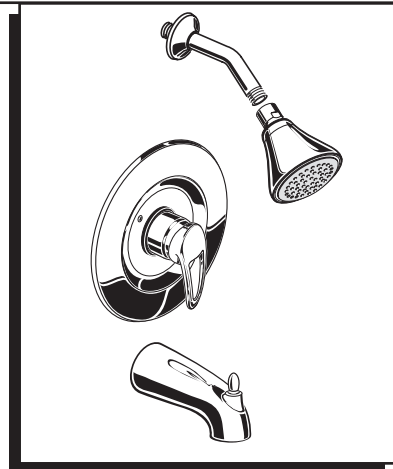




PELHAM™
PRESSURE BALANCING
BATH AND SHOWER SET

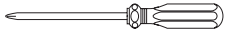
Installation
Instructions
9385.502



To ensure that your installation proceeds smoothly—please read these instructions carefully before you begin.

Certified to comply with ANSI A112.18.1
 M968609 REV.1.1

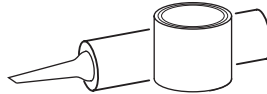
Recommended Tools



Phillips Screwdriver



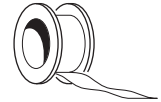
Flat Blade Screwdriver



Plumbers' Putty or Caulking



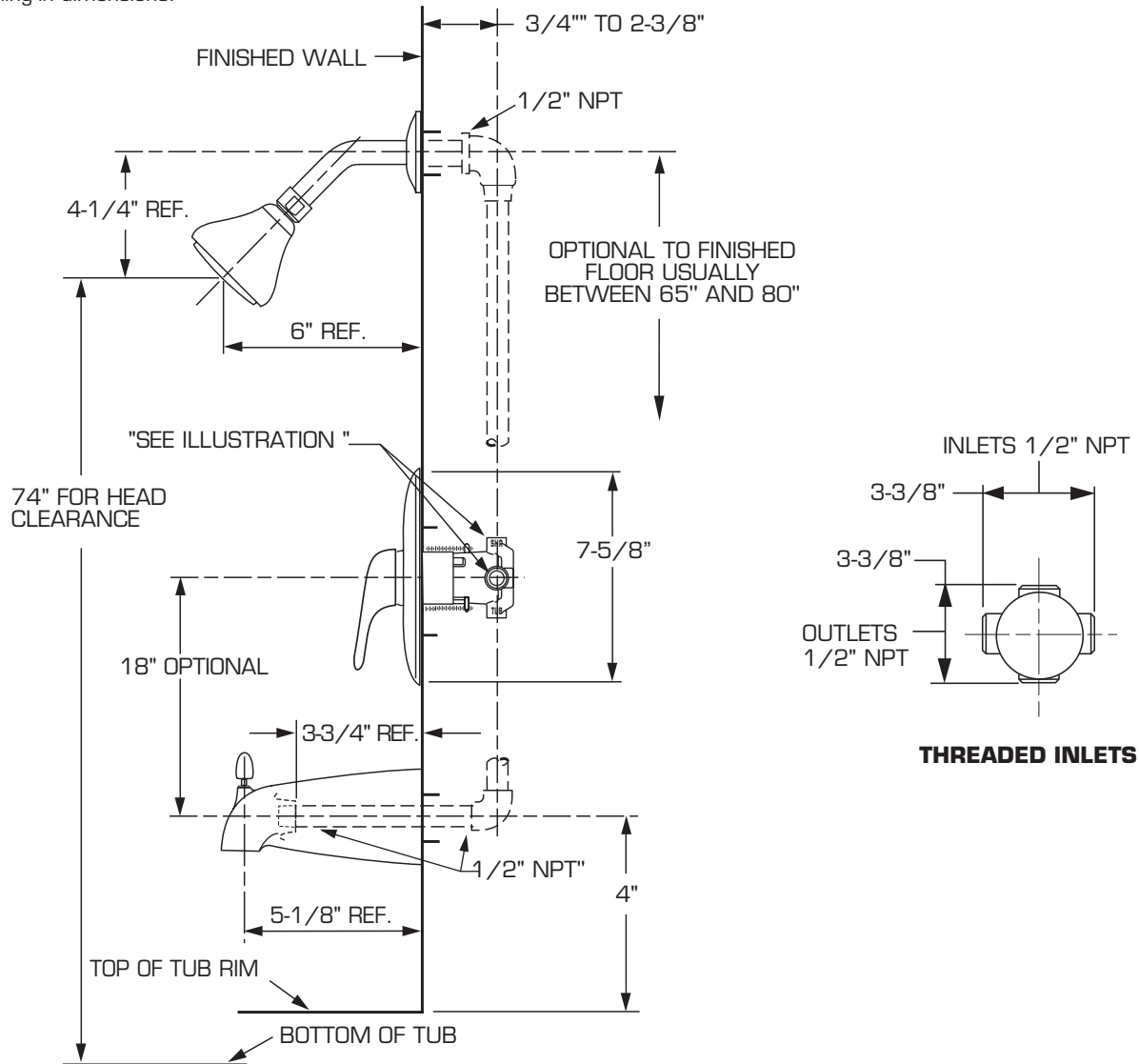
Channel Locks



Teflon Tape

ROUGHING-IN DIMENSIONS

■ To assure proper positioning in relation to wall, note roughing-in dimensions.



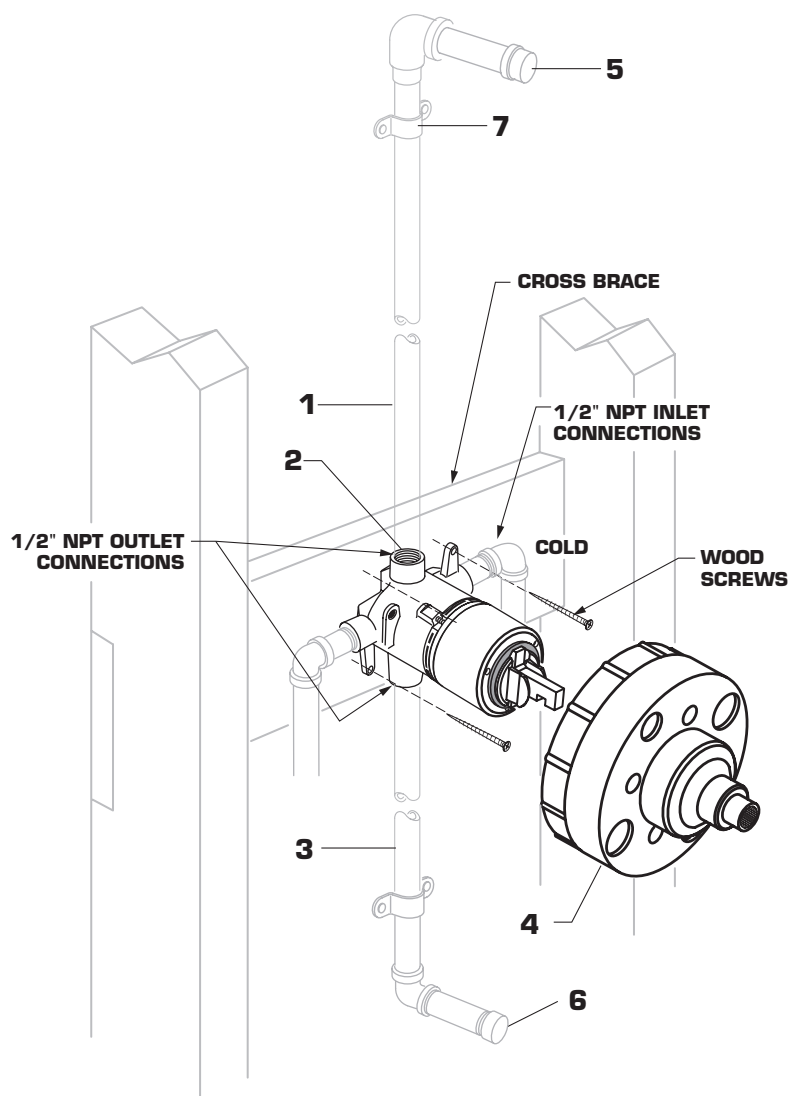
1

ROUGHING-IN

CAUTION Turn off water at main supply.

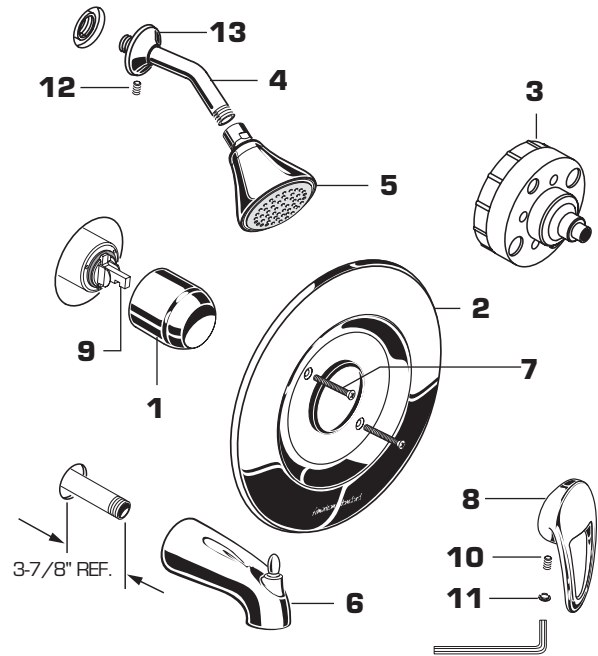
NOTE When soldering, remove **PLASTER GUARD, CARTRIDGE, PRESSURE BALANCING UNIT**. When finished soldering, flush valve body, replace pressure balancing unit, cartridge, stops and plaster guard to continue installation.

- See Roughing-in diagram before starting. Connections are:
 - 1/2" female NPT for outlets
 - 1/2" female NPT for inlets
- Mount **VALVE BODY** to cross brace with-in wall. Use woodscrews to secure **VALVE BODY** to brace.
- Connect **RISER PIPE (1)** to **MANIFOLD (2)** top outlet marked "SHR".
- Connect **TUB FILLER PIPE (3)** at bottom outlet marked "TUB".
- For proper positioning the finished wall must be within side wall of **PLASTER GUARD (4)**. If the valve is installed on a fiberglass or other thin wall application, the **PLASTER GUARD (4)** can be used as a support.
 - Cut a 3" dia. hole in the shower stall.
 - Remove **PLASTER GUARD (4)**, rotate 90° so that indicated screw holes fit **MANIFOLD (2)**.
 - Connect hot and cold water supplies. All connections are 1/2" NPT.
- Cap off shower pipe **(5)** and tub filler pipe **(6)**.
- For support, use pipe **BRACES (7)** secured to wooden braces. With valve turned off, turn on water supplies. Check for leaks. Finish wall construction.



2 INSTALL TRIM

- When finished tiling the wall, remove PLASTER GUARD (3). Push on CAP (1).
- Mount ESCUTCHEON (2) and with SCREWS (7).
- Install HANDLE (8) by pushing it onto CARTRIDGE STEM (9) and tightening SET SCREW (10) from below with 2.5mm Hex Wrench supplied. Insert INDEX BUTTON (11).
- Remove cap from tub supply and plug from shower pipe.
- Install SHOWER ARM (4) and FLANGE (13).
- Tighten SET SCREW (12) onto FLANGE (13) using 5/64" hex wrench.
- Install SHOWER HEAD (5) onto SHOWER ARM (4).
- Install DIVERTER SPOUT (6).

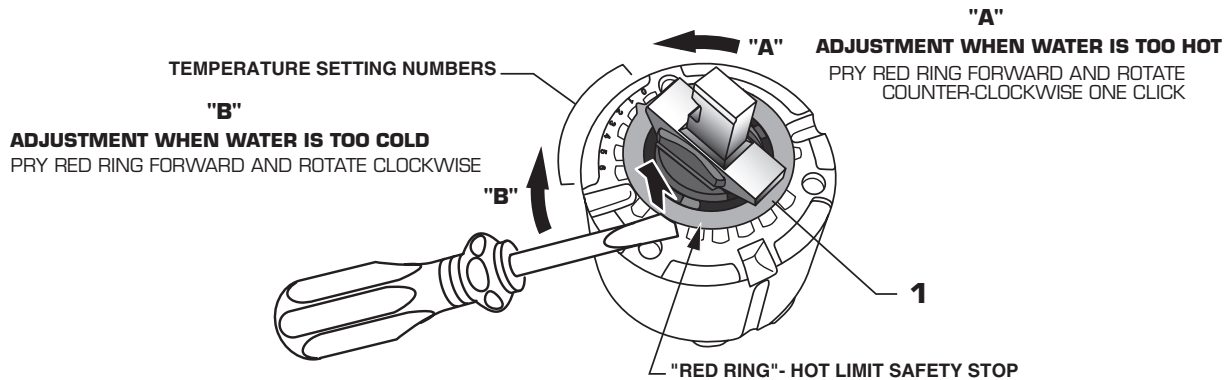


3 ADJUST HOT LIMIT STOP

HOT LIMIT SAFETY STOP ADJUSTMENT

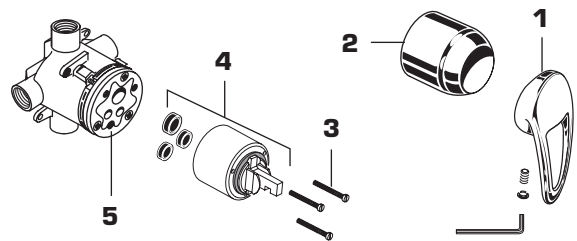
By restricting handle rotation and limiting the amount of hot water allowed to mix with the cold, the HOT LIMIT SAFETY STOP reduces risk of accidental scalding. To set the maximum hot water temperature of your faucets, all you need to do is adjust the setting on the HOT LIMIT SAFETY STOP.

- Use a flat blade screwdriver or your fingers to pull up and rotate red HOT LIMIT SAFETY STOP (1). Follow Step "A" or "B" to adjust min./max. discharge temperature. "0" being the hottest to "7" the coldest temperature setting. Factory set at "0".



4 SERVICE

- If faucet drips, operate handle several times from "off" to "on". Do not apply excessive force.
- Clogged CARTRIDGE (4) inlets may cause reduced flow in "full on" hot or cold. To clean inlets, first turn off water supply, then:
 - Remove HANDLE (1), CAP (2) and CARTRIDGE (4). Clean inlets and MANIFOLD (5).
 - Reassemble CARTRIDGE (4), alternately tightening SCREWS (3).
 - Replace CAP (2) and HANDLE (1). Check flow.
- For Back-to-Back installation order cartridge # 952377-0070A



CARE INSTRUCTIONS:

DO: SIMPLY RINSE THE PRODUCT CLEAN WITH CLEAR WATER. DRY WITH A SOFT COTTON FLANNEL CLOTH.
DO NOT: DO NOT CLEAN THE PRODUCT WITH SOAPS, ACID, POLISH, ABRASIVES, HARSH CLEANERS, OR A CLOTH WITH A COARSE SURFACE.