



PATRIOT™ INTEGRAL APRON WHIRLPOOL AND BATHING POOL

HIGH GLOSS ACRYLIC

PATRIOT™ INTEGRAL APRON WHIRLPOOL AND BATHING POOL

- 015-0309 Patriot Whirlpool, Left Hand Outlet
- 015-0305 Patriot Whirlpool, Right Hand Outlet

Product Features:

- Rectangular unit constructed of durable acrylic
- Perfect size for replacing existing bathtub
- Integral skirt with access panel
- Integral tile flange
- Eight fully adjustable hydro-jets
- Air on/off switch
- Electronic control pad enables use of Whirlpool, Air Massage, or both systems simultaneously (Total Massage models only)
- Safety suction system
- Pre-leveled base
- Textured bottom for slip-resistance
- Factory installed options available
- Limited Lifetime Warranty including parts, five year warranty on labor

015-0101 Patriot Air Massage Tub Right Hand Outlet

- High gloss acrylic
- Bath with Air Massage system

015-0108 Patriot Air Massage Tub Left Hand Outlet

- High gloss acrylic
- Bath with Air Massage system

015-0804 Patriot Total Massage Whirlpool Right Hand Outlet

- Same as 015-0305 except with Air Massage system and electronic control pad

015-0807 Patriot Total Massage Whirlpool Left Hand Outlet

- Same as 015-0309 except with Air Massage system and electronic control pad

015-0100 Patriot Tub only, Right Hand Outlet

015-0106 Patriot Tub only, Left Hand Outlet

Nominal Dimensions:

60" x 32" x 19-3/4"
(1524 x 813 x 502mm)

SEE REVERSE FOR PRODUCT DIMENSIONS AND SPECIFICATIONS



To Be Specified - Required:

- Color:
- Bath Filler: (specify finish)
Recommended: 9088900.295 (check deck width prior to mounting on unit)
- Bath Drain:

To Be Specified - Optional:

- 494-1000 - In-line heater (field installed)

Factory Installed - Optional:

- 494-8000-00 - Chrome finish hydro-jets (8)
- 494-8000-04 - Polished Brass finish hydro-jets (8)
- 494-8000-25 - Satin Nickel finish hydro-jets (8)
- 494-1005-00 - In-line heater
- 494-8100-00 - Mood light
- 494-8500-00 - Chromotherapy light kit (2 LED lights)
- 494-8505-00 - Remote for chromotherapy light kit

For color/finish availability and other faucet choices, please see www.eljer.com

Compliance Certifications -

Meets or Exceeds the Following Specifications:

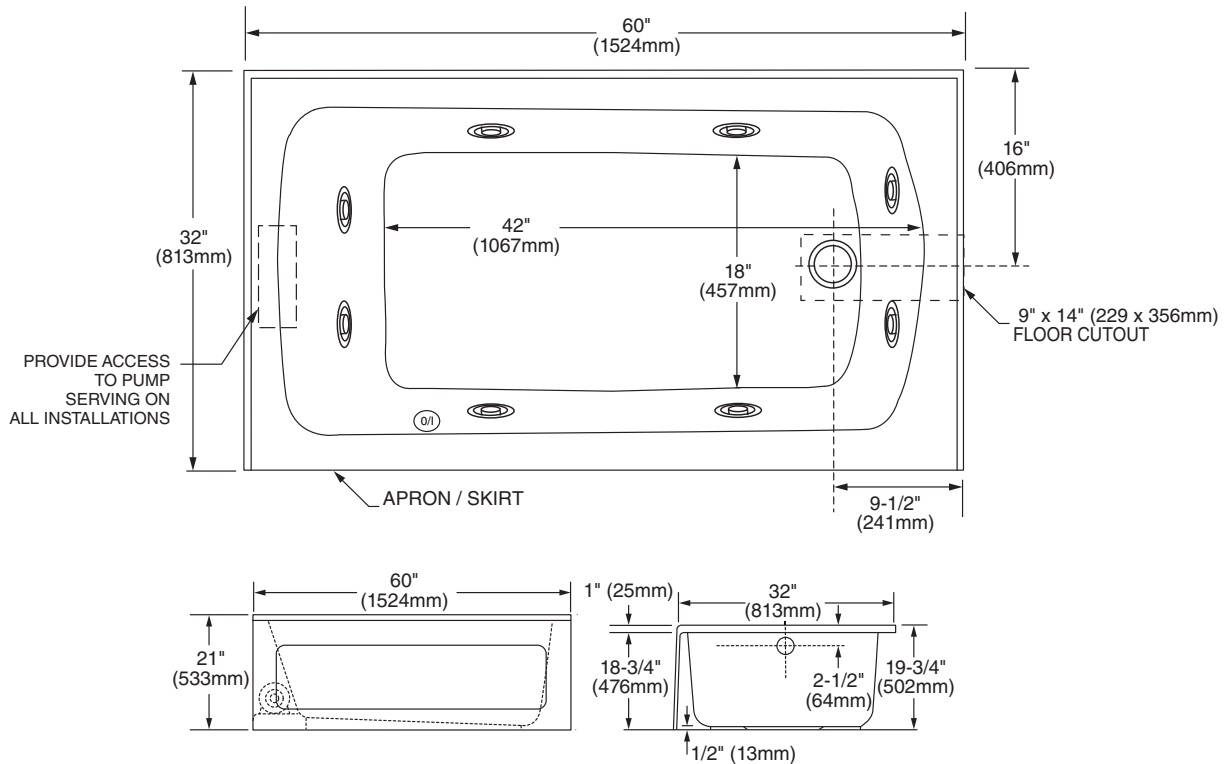
- Underwriters Laboratories - Hydromassage Bathtubs UL 1795
- ASME A112.19.7M for Whirlpool Appliances
- ANSI Z124.1 for Plastic Bathtubs



PATRIOT™ INTEGRAL APRON WHIRLPOOL AND BATHING POOL

HIGH GLOSS ACRYLIC

MODEL 015-0309/0305
(Right hand version shown)



GENERAL SPECIFICATIONS FOR PATRIOT™ WHIRLPOOL	
INSTALLED SIZE	60 x 32 x 18-3/4 In. (1524 x 813 x 476mm)
WEIGHT	135 Lbs. (52 Kg.)
WEIGHT w/WATER	455 Lbs. (207 Kg.)
GAL. TO OVERFLOW	40 Gal. (151 L.)
BATHING WELL AT SUMP	18 x 42 In. (457 x 1067mm)
WATER DEPTH TO OVERFLOW	14 In. (356mm)
FLOOR LOADING (PROJECTED AREA)	34 Lbs./Sq.Ft. (167 Kgs./Sq.m)
PTS.	14.5
CUBE (FT ³)	25.7

NOTES:

BATH TO BE INSTALLED ABOVE FLOOR LINE AS A RECESS INSTALLATION. SUPPORT OF BATH BY SUMP BEDDING. SUPPORT AND ENCLOSING MATERIAL BY OTHERS.

■ REFER TO INSTALLATION INSTRUCTIONS SUPPLIED WITH WHIRLPOOL FOR ADDITIONAL INFORMATION.

RIGHT HAND OUTLET SHOWN, LEFT HAND REVERSE DIMENSIONS.

FITTINGS NOT INCLUDED AND MUST BE ORDERED SEPARATELY.

PROVIDE SUITABLE REINFORCEMENT FOR ALL SUPPORTS.

IMPORTANT: Dimensions of fixtures are nominal and may vary within the range of tolerances established by ANSI Standards Z124.1 and A112.19.7. These measurements are subject to change or cancellation. No responsibility is assumed for use of superseded or voided pages.