



# Sheridan 4070 Whirlpool

PREMIERE SERIES


HIGH-GLOSS ACRYLIC



Sheridan Whirlpool (015-0055). Bath waste not included.

**Note:** Eljer assumes no responsibility or liability for local or state regulations which deviate from national standards. It shall be the responsibility of the installer to comply with local codes and standards prior to installation of any Eljer product.

Electrical Specifications: 120V, 20 AMP, GFCI Protected Circuit for Whirlpool Bath. If using In Line Heater, a separate dedicated 120V, 20AMP, GFCI Protected Circuit is Required.



- 70" (1778mm) Length, 40" (1016mm) Width, 20-1/2" (521mm) Height - Cubes 36.66
- Oval Unit with Soft Contour Lines
- Perfect for Corner or Alcove Installations
- Six Fully Adjustable Hydro-Jets
- Electronic On/Off Switch
- Electronic Control Pad Enables Use of Whirlpool, Air Massage, or Both Systems Simultaneously (Total Massage Model Only)
- Safety Suction System
- Pre-Leveled Co-Ex Base
- Heater Blank for Optional In-Line Heater
- Textured Bottom for Slip-Resistance
- Factory Installed Options Available
- Limited Lifetime Warranty

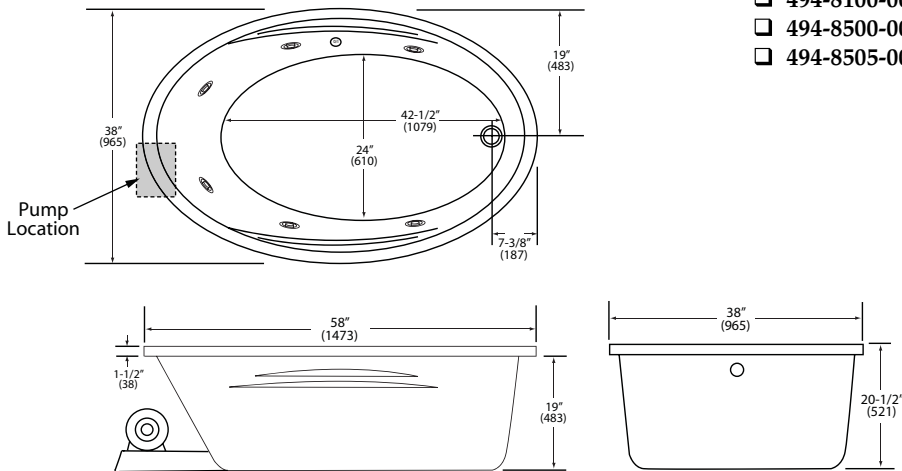
- 015-0055 Six Jet Whirlpool Bath Complete with Color-Matched Whirlpool Trim, 7.8 amp/1.25 hp Motor, and Heater Blank, Less Bath Waste, 119 lbs.
- 015-0054 Total Massage Whirlpool Bath Complete with Color-Matched Trim, Electronic Control Pad for Whirlpool and Air Massage Systems, 7.8 amp/1.25 hp Motor, and Heater Blank, Less Bath Waste, 135 lbs.

**Options:**

- 494-1000 In-line Heater (Field Installed)

**Factory Installed Options:**

- 494-6000-00 Chrome Finish Hydro-Jets (6)
- 494-6000-04 Polished Brass (PVD) Finish Hydro-Jets (6)
- 494-6000-25 Satin Nickel Finish Hydro-Jets (6)
- 494-1005-00 In-Line Heater
- 494-8100-00 Mood Light - Cycles through Seven Colors
- 494-8500-00 Chromotherapy Light Kit (2 LED Lights)
- 494-8505-00 Remote for Chromotherapy Light Kit



\*Trim for Whirlpool and Total Massage Models will be Color-Matched on White, Natural/Bone, Biscuit, and Platinum Units. Onyx Units Come Standard with Chrome Finish Trim. Whirlpool Trim includes: Whirlpool Jets and Covers and Suction Return Cover.

**Water Capacity to Overflow: 50 gal.**

FAUCETS ARE NOT INCLUDED. ALL FIXTURE DIMENSIONS ARE NOMINAL AND MAY VARY WITHIN THE RANGE OF TOLERANCES ESTABLISHED BY ASME/ANSI STANDARDS, Z124.1. ALL MEASUREMENTS SHOWN ARE SUBJECT TO CHANGE OR CANCELLATION.