



Century 17" Toilet

CENTURY COLLECTION

VITREOUS CHINA



Century 17" Elongated-Rim Toilet (091-8275).

Note: Dimensions May Vary +/- 1/2" and are Subject to Change or Cancellation

Eljer assumes no responsibility or liability for local or state regulations which deviate from national standards. It shall be the responsibility of the installer to comply with local codes and standards prior to installation of any Eljer product.

Dimensions for Location of Supply are Suggested

Water Surface	8-1/8" x 9-3/4" (206mm x 248mm)
Trap Size	2" (51mm)
Trap Seal	2-3/8" (60mm)

- 1.6 Gallons (6 Liters) of Water Per Flush
- Elongated-Rim, ADA-Compliant 16-3/4" Rim Height Bowl
- Siphon Vortex Bowl with Shelf-Top Tank
- Unique Double Rolled Edge Design
- Part of the Design-Matched Century Collection
- Flush Actuator Available in Six Metallic Finishes
- Fully Glazed 2" Trapway
- 12" Rough-In
- Available in All Eljer Standard and Premium Colors

☐ **091-8275** ♿ Ⓢ Vitreous China, Two-Piece, Elongated-Rim Convenient Height™ Toilet, Includes (131-8275) Bowl and (141-8200) Tank - 88 lbs., Cubes 6.49

Component Parts:

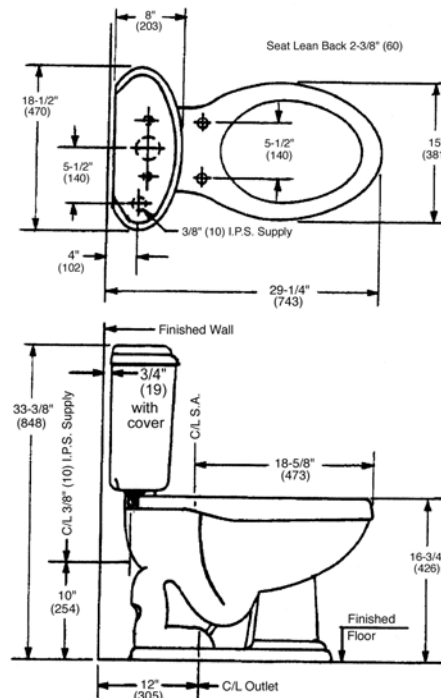
- 131-8275 Elongated Convenient Height™ Bowl - 54 lbs., Cubes 4.80
- 141-8200 Tank - 34 lbs., Cubes 1.69
- 151-8000 Tank Lid Only - 16 lbs.
- 495-2712-00 Polished Chrome (Standard) Flush Actuator

Optional Flush Actuators:

- ☐ 495-2712-01 Polished Gold
- ☐ 495-2712-02 Polished Brass
- ☐ 495-2712-05 Brushed Chrome
- ☐ 495-2712-25 Brushed Nickel
- ☐ 495-2712-35 Oil-Rubbed Bronze

Recommended Toilet Seat:

- ☐ 124-0245 Premium Solid Plastic Seat and Cover - Elongated



♿ Eljer products are designed to comply with ADA and CABO/ANSI A117.1 standards, when installed in accordance with these standards. Eljer assumes no responsibility or liability for local or state regulations which deviate from national standards. It shall be the responsibility of the installer to comply with local codes and standards prior to installation of any Eljer product.

Ⓢ CSA Certified

ALL FIXTURE DIMENSIONS ARE NOMINAL AND MAY VARY WITHIN THE RANGE OF TOLERANCES ESTABLISHED BY ASME/ANSI STANDARDS, A112.19.2M. ALL MEASUREMENTS SHOWN ARE SUBJECT TO CHANGE OR CANCELLATION. DIMENSIONS IN PARENTHESES ARE IN MILLIMETERS 25.4 mm = 1 INCH.