



Patriot 17" Triangle Toilet

VITREOUS CHINA



Patriot 17" Triangle Elongated-Rim Toilet (091-2575)

Note: Dimensions May Vary +/- 1/2" and are Subject to Change or Cancellation

Eljer assumes no responsibility or liability for local or state regulations which deviate from national standards. It shall be the responsibility of the installer to comply with local codes and standards prior to installation of any Eljer product.

Dimensions for Location of Supply are Suggested

Water Surface:	8-1/4" x 9-3/8" (210mm x 238mm)
Trap Size:	2" (51mm)
Trap Seal:	2-1/2" (64mm)

- 1.6 Gallons (6 Liters) of Water Per Flush
- Meets Requirements for Both ADA and ANSI 117.1 When Installed Per Code
- Elongated-Rim, 16-3/4" High Bowl
- Close-Coupled, Two-Piece Toilet
- Siphon Vortex Bowl with Shelf-Top Tank
- Fully Glazed 2" Trapway
- Exclusive Triangle Tank for Corner Installation
- Available in All Eljer Standard and Premium Colors

☐ 091-2575 Vitreous China, Two-Piece, Elongated-Rim Convenient Height™ Toilet, Includes (131-2175) Bowl and (141-4510) Tank - 83 lbs., 5.75 Cubes

Component Parts:

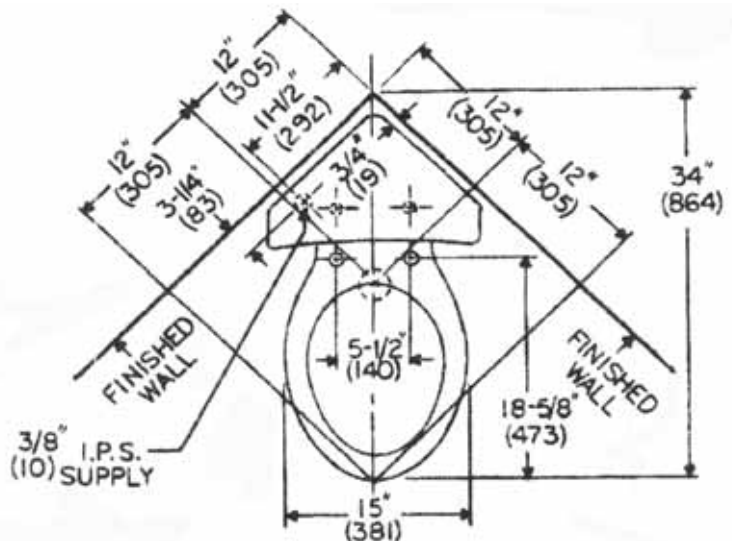
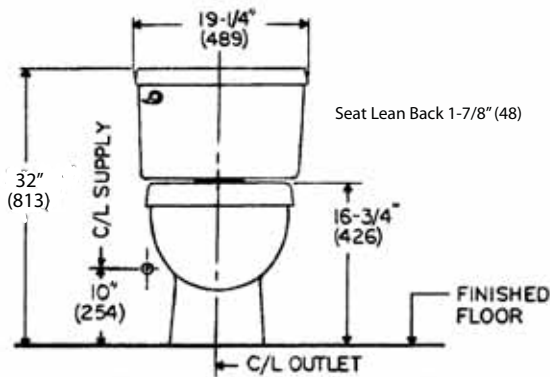
- 131-2175 Elongated Convenient Height™ Bowl - 54 lbs., Cubes 3.35
- 141-4510 Triangle Tank - 36 lbs., Cubes 2.40
- 151-4510 Triangle Tank Lid Only - 13 lbs., Cubes 1.79

Flush Actuators:

- ☐ 495-2120-00 White (Standard on White Tanks)
- ☐ 495-2120-82 Natural (Standard on Natural/Bone Tanks)
- ☐ 495-2120-96 Biscuit (Standard on Biscuit Tanks)
- ☐ 495-2121-00 Polished Chrome (Furnished with Colors Other Than White, Natural/Bone, and Biscuit)
- ☐ 495-2121-04 Polished Brass (Optional)
- ☐ 495-2121-25 Brushed Nickel (Optional)
- ☐ 495-2121-35 Oil-Rubbed Bronze (Optional)

Recommended Toilet Seat:

- ☐ 124-0245 Premium Solid Plastic Seat and Cover - Elongated



CSA Certified

Eljer products are designed to comply with ADA and CABO/ANSI A117.1 standards, when installed in accordance with these standards. Eljer assumes no responsibility or liability for local or state regulations which deviate from national standards. It shall be the responsibility of the installer to comply with local codes and standards prior to installation of any Eljer product.

ALL FIXTURE DIMENSIONS ARE NOMINAL AND MAY VARY WITHIN THE RANGE OF TOLERANCES ESTABLISHED BY ASME/ANSI STANDARDS, A112.19.2M. ALL MEASUREMENTS SHOWN ARE SUBJECT TO CHANGE OR CANCELLATION. DIMENSIONS IN PARENTHESES ARE IN MILLIMETERS 25.4 mm = 1 INCH.