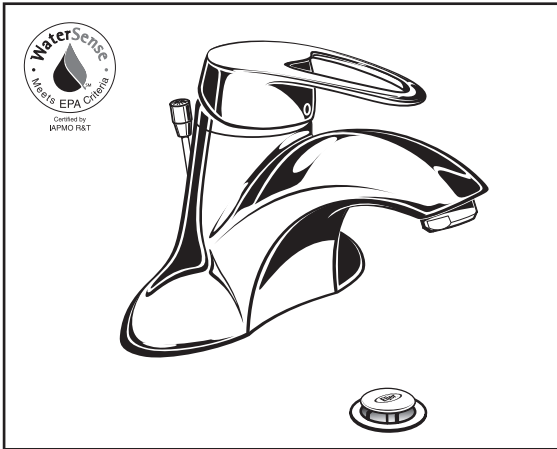


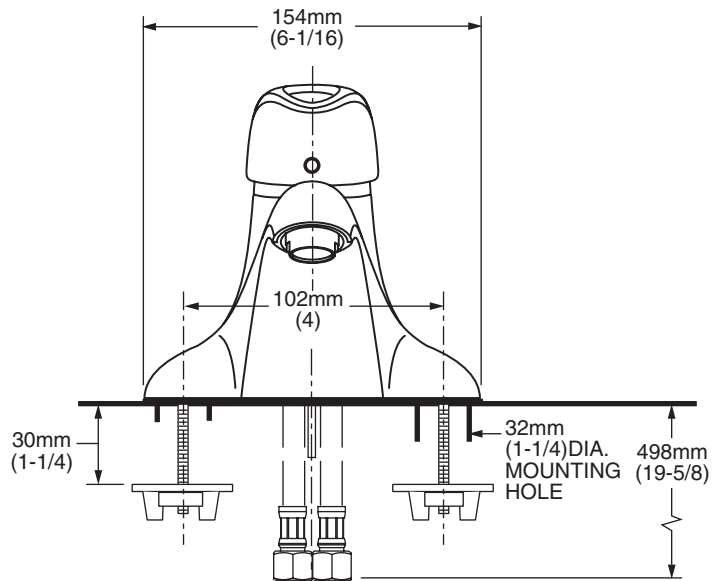
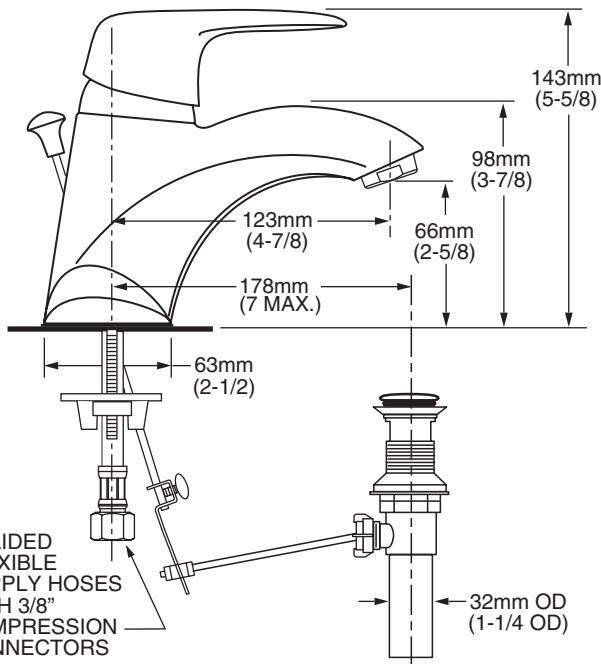


PELHAM™ SINGLE CONTROL LAVATORY FAUCET



MODEL NUMBER:

- ☐ **9385.201.002 Single Control Centerset**
Metal Lever Handle. 50/50 pop-up drain.
Chrome Finish.
- ☐ **9385.201.295 Single Control Centerset**
Metal Lever Handle. Metal pop-up drain.
Satin Nickel (PVD) Finish.



GENERAL DESCRIPTION:

All metal body with Metal Lever Handle. Washerless 47mm ceramic disc valve cartridge with integral hot limit safety stop. Durable cast brass waterway. Braided flexible supply hoses with 3/8" compression connections. 50/50 pop-up drain body with 1-1/4" (32mm) tail piece. 1.5 gpm/5.7L/min. maximum flow rate.

PRODUCT FEATURES:

Cast Brass Waterway with Flexible Supply Hoses: Strong and durable. Less potential for leaks.

Ceramic Disc Valve Cartridge: Assures smooth, precise valve control and a lifetime of drip-free, maintenance-free performance.

Adjustable Hot Limit Safety Stop: Limits the amount of hot water allowed to mix with cold. Reduces the risk of accidental scalding.

Low Lead: Meets NSF Standard 61/Section 9 & Prop 65 lead requirements.

Choice of Finishes: Available in Polished Chrome or Satin Nickel (PVD).

Simple One-Person Installation: Faucet drops in from top. Quick spin nuts secure faucet in place.

SUGGESTED SPECIFICATION

Single control lavatory fitting shall feature an all metal body with metal lever handle. Shall feature a cast brass waterway with flexible hose connections. Shall also feature a washerless ceramic disc valve cartridge with integral hot limit safety stop. Shall also feature a 50/50 pop-up drain body. Fitting shall be Eljer Model # 9385.201.____.

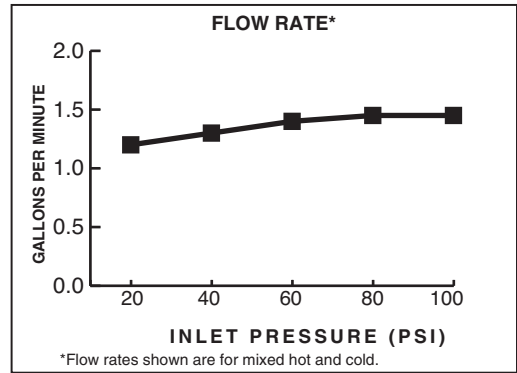


PELHAM™
SINGLE CONTROL LAVATORY FAUCET

CODES AND STANDARDS

These products meet or exceed the following codes and standards:

- ANSI A117.1**
- ASME A112.18.1**
- CSA B 125**
- NSF 61/Section 9**



Product Number	Description	Finish Options	
		Polished Chrome	PVD Satin Nickel
9385.201	Pelham Single Control Centerset with braided flexible supply hoses . Metal Lever Handle. 50/50 pop-up drain.	002	295

Meets the American Disabilities Act Guidelines and **ANSI A117.1** Requirements for the physically challenged.