



LANSING™ TWO-HANDLE CENTERSET LAVATORY FAUCET



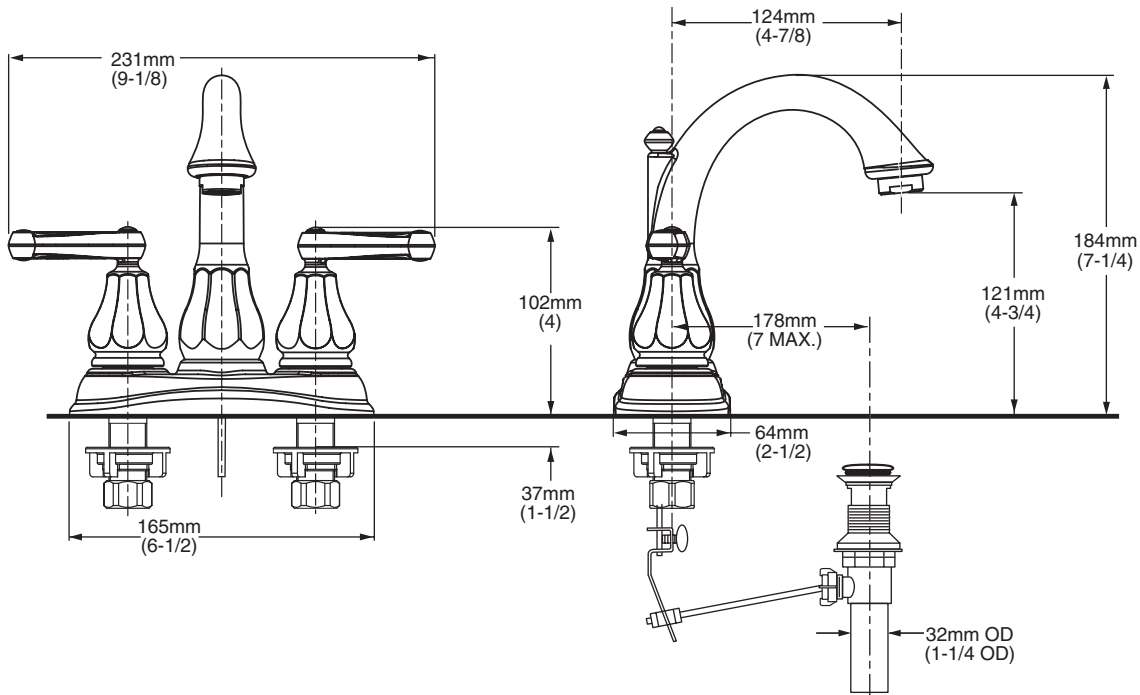
MODEL NUMBER:

☐ 9088.201.002 Lansing Two Handle Centerset

50/50 Pop-up drain.
Metal Lever handles.
Chrome Finish.

9088.201.295 Lansing Two Handle Centerset

50/50 Pop-up drain.
Metal Lever handles.
Satin Nickel (PVD) Finish.



GENERAL DESCRIPTION:

Durable cast brass spout and waterway with one-half inch male inlet shanks. 1/4 turn washerless ceramic disc valve cartridges. 50/50 pop-up drain with 1-1/4 inch (32mm) tail piece. 1.5 gpm/5.7L/min. maximum flow rate.

PRODUCT FEATURES:

Cast Brass Spout and Waterway: Durable. Ideal for prolonged contact with water.

Ceramic Disc Valve Cartridges: Assure a lifetime of smooth handle operation and drip-free performance.

Low Lead: Meets NSF Standard 61/Section 9 & Prop 65 lead requirements.

Simple Installation: Fast and easy one person installation. Faucet drops in from top. Quick spin nuts secure faucet in place.

Choice of Finishes: Available in Polished Chrome, or Satin Nickel (PVD).

SUGGESTED SPECIFICATION:

4" centerset lavatory faucet shall feature a cast brass spout and waterway with 1/2" male inlet shanks. Shall also feature 1/4 turn washerless ceramic disc valve cartridges. Shall also feature a 50/50 pop-up drain body. Fitting shall be Eljer Model # 9088.201._____.



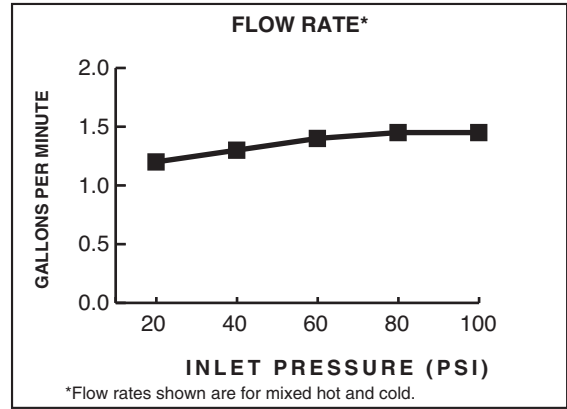
LANSING™

TWO-HANDLE CENTERSET LAVATORY FAUCET


CODES AND STANDARDS

These products meet or exceed the following codes and standards:

- ANSI A117.1
- ASME A112.18.1
- CSA B 125
- NSF 61/Section 9



Product Number	Description	Finish Options	
		Polished Chrome	Satin Nickel (PVD)
		002	295
9088.201	Lansing Two Handle Centerset with 50/50 Pop-up drain. Metal Lever handles.		

 Meets the American Disabilities Act Guidelines and **ANSI A117.1** Requirements for the physically challenged.