

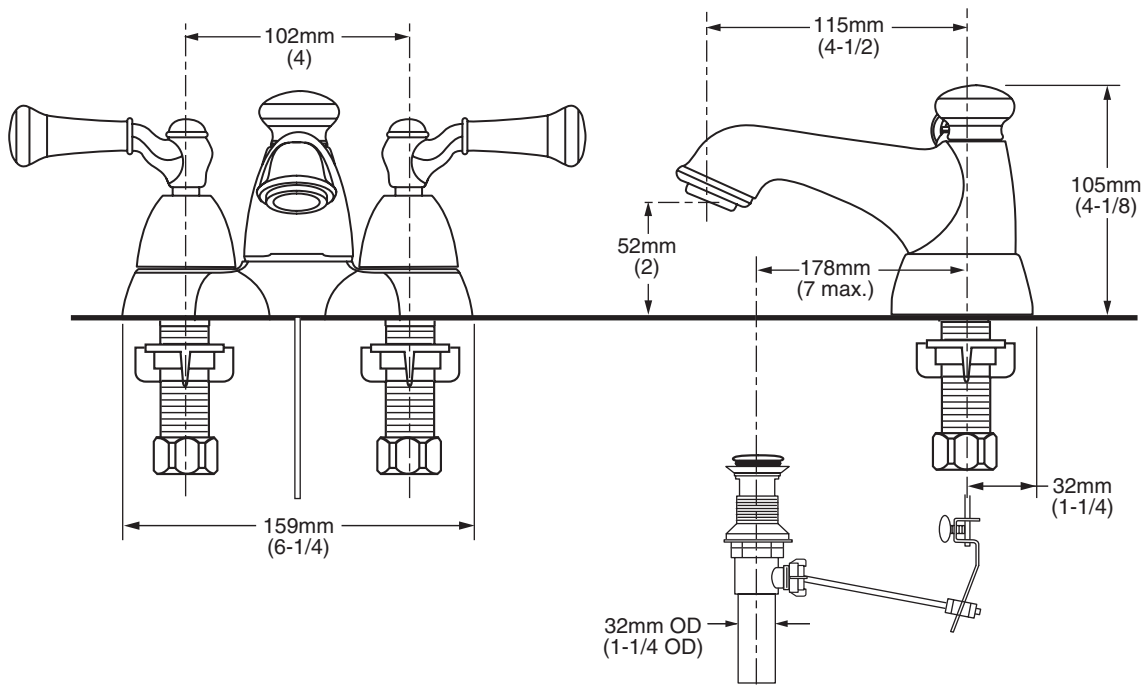


# CLARION™ TWO-HANDLE CENTERSET LAVATORY FAUCET



## MODEL NUMBER:

- ❑ **9077.201.002 Centerset Lavatory**  
50/50 Pop-up drain. Porcelain Lever handles.  
Chrome finish.
- ❑ **9077.201.295 Centerset Lavatory**  
50/50 Pop-up drain. Porcelain Lever handles.  
Satin Nickel (PVD) finish.



## GENERAL DESCRIPTION:

Durable cast brass construction. 1/4 turn washerless ceramic disc valve cartridges. One-half inch male inlet shanks with brass coupling nuts. Porcelain lever handles. 50/50 drain body with 1-1/4" (32mm) tailpiece. 1.5 gpm/5.7L/min. maximum flow rate.

## PRODUCT FEATURES:

**Cast Brass Construction:** Durable. Easy to clean, seamless design. Ideal for prolonged contact with water.

**Ceramic Disc Valve Cartridge:** Assures a lifetime of smooth handle operation and drip-free performance.

**Low Lead:** Meets NSF Standard 61/Section 9 & Prop 65 lead requirements.

**Genuine Porcelain Handles**

**Choice of Finishes:** Available in Polished Chrome, or Satin Nickel (PVD).

## SUGGESTED SPECIFICATION:

4" centerset lavatory faucet shall feature cast brass construction. Shall also feature 1/4 turn washerless ceramic disc valve cartridges. 50/50 pop-up drain. Fitting shall be Eljer Model # 9077.201.\_\_\_\_.

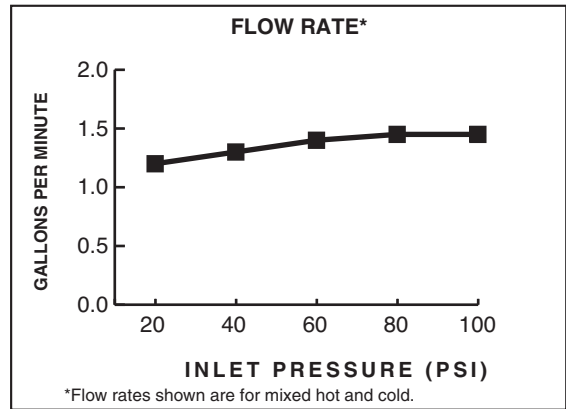


# CLARION™ TWO-HANDLE CENTERSET LAVATORY FAUCET


## CODES AND STANDARDS

These products meet or exceed the following codes and standards:

- ANSI A117.1
- ASME A112.18.1
- CSA B 125
- NSF 61/Section 9



Product Number	Description	Finish Options	
		Polished Chrome	Satin Nickel (PVD)
		002	295
9077.201	Clarion Lavatory faucet with 50/50 pop-up drain. Porcelain Lever handles.		

 Meets the American Disabilities Act Guidelines and **ANSI A117.1** Requirements for the physically challenged.