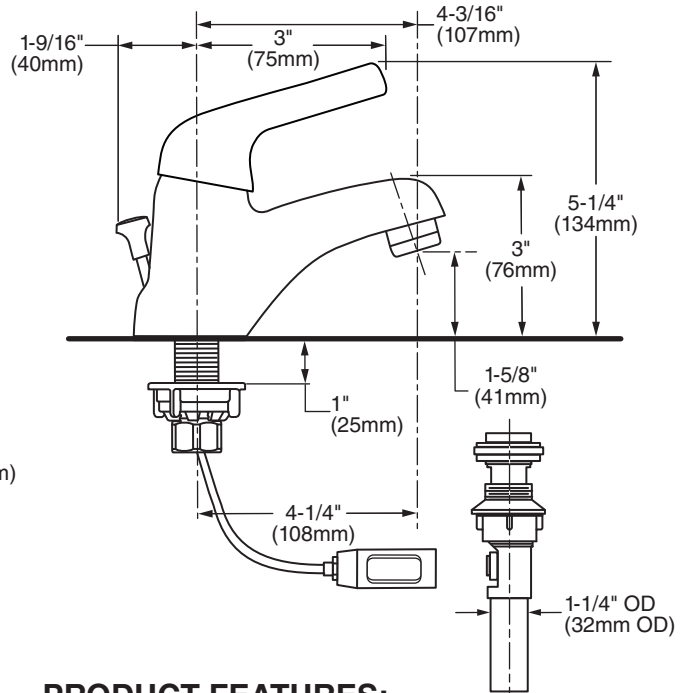
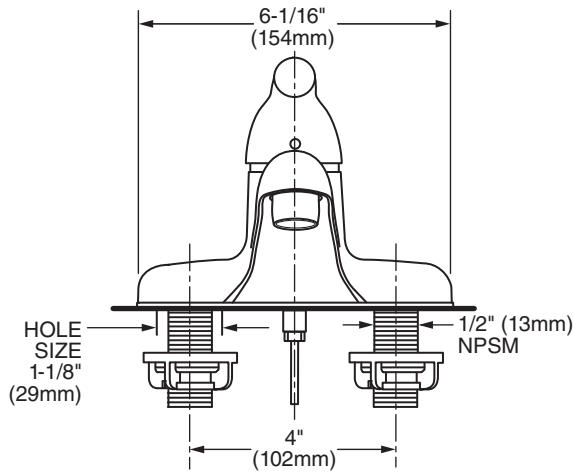




STRATTON™ SINGLE CONTROL LAVATORY FAUCET



MODEL NUMBER:

- ❑ **9315.110.002 Single Control Centerset**
Non-Metallic Speed Connect® Pop-up Drain.
Polished Chrome finish.
- ❑ **9315.110.295 Single Control Centerset**
Non-Metallic Speed Connect® Pop-up Drain.
Satin Nickel (PVD) finish.

GENERAL DESCRIPTION:

Single control lavatory faucet on 4" centers. Washerless 40mm ceramic disc valve cartridge. Durable cast brass waterway with 1/2" male threaded brass inlet shanks. Metal body with color matched underbody. Lever handle. 20" (500mm) long flexible stainless steel drain cable is pre-assembled to faucet body. Non-Metallic Speed Connect® drain body with 1-1/4 inch (32mm) tail piece. 1.5 gpm/5.7L/min. maximum flow rate.

PRODUCT FEATURES:

Cast Brass Waterways with "City Shanks": Strong and durable. Integral tabs on casting provide a wobble-free installation.

Ceramic Disc Valve Cartridge: Assures smooth, precise valve control and a lifetime of drip-free, maintenance-free performance.

Lead Free: Faucet contains ≤ 0.25% total lead content by weighted average.

Speed Connect® Drain:

- 1/3 the parts, installs in 1/3 the time.
- No tools or plumbers putty required for installation.
- No adjustments required - seals the first time, every time.
- Flexible stainless steel cable - installs effortlessly in tight spaces.

Choice of Finishes: Available in Polished Chrome or Satin Nickel (PVD).

Simple One-Person Installation: Faucet drops in from top. Quick spin nuts secure faucet in place.

SUGGESTED SPECIFICATION

Single control lavatory fitting shall feature cast brass waterways with 1/2" male inlet shanks. Shall also feature washerless 40mm ceramic disc valve cartridge. Shall also feature a drain body with stainless steel cable actuation.

Fitting shall be Eljer Model # 9315.110.____.

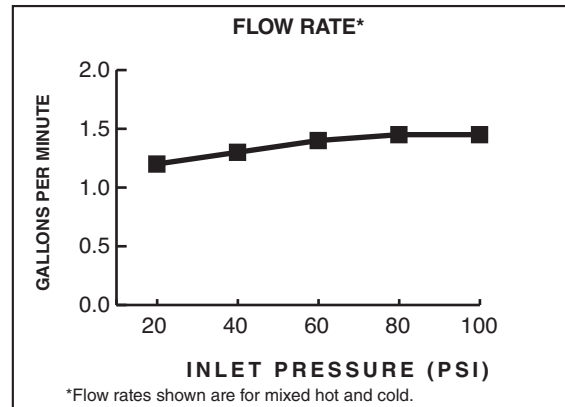


STRATTON™ SINGLE CONTROL LAVATORY FAUCET

CODES AND STANDARDS

These products meet or exceed the following codes and standards:

- ANSI A117.1**
- ASME A112.18.1**
- NSF 61/Section 9 & Annex G**
- CSA B 125**



Product Number	Description	Finish Options	
		Polished Chrome	Satin Nickel (PVD)
		002	295
9315.110	Stratton Single Control Centerset Faucet with Metal Level Handle and Non-Metallic Speed Connect® pop-up drain.		

Meets the American Disabilities Act Guidelines and **ANSI A117.1** Requirements for the physically challenged.