

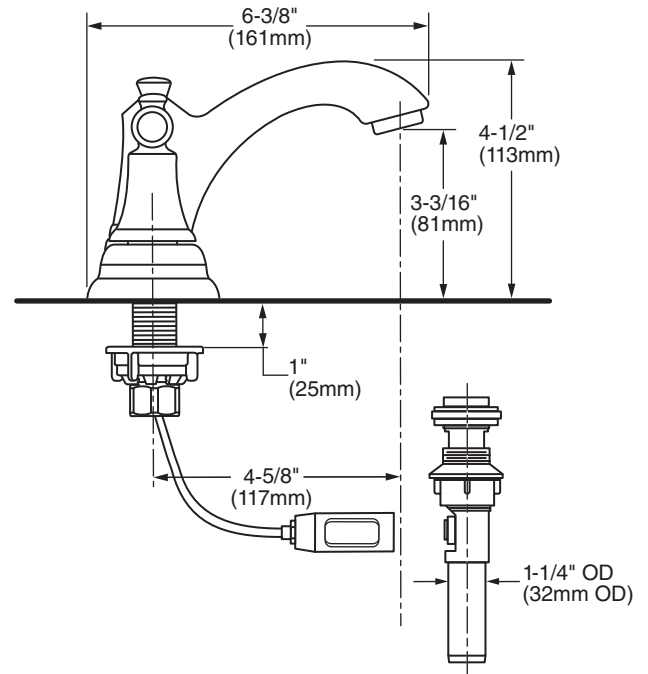
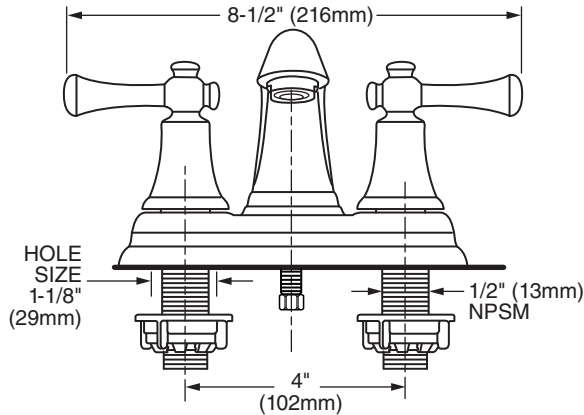


NEWBURGH™ TWO-HANDLE CENTERSET LAVATORY FAUCET



MODEL NUMBER:

- 9211.201.002 Two-Handle Centerset
Non-metallic Speed Connect® Pop-up drain.
Metal Lever Handles. Polished Chrome finish.



GENERAL DESCRIPTION:

Centerset lavatory faucet on 4" centers. 1/4 turn washerless ceramic disc valve cartridges. Durable cast brass waterways with one-half inch male inlet shanks. Metal body. Color matched underbody. Metal lever handles. 20" (500mm) long flexible stainless steel drain cable is pre-assembled to faucet body. Non-Metallic Speed Connect® drain body with 1-1/4 inch (32mm) tail piece. 1.5 gpm/5.7L/min. maximum flow rate.

PRODUCT FEATURES:

Cast Brass Waterways with "City Shanks": Strong and durable. Integral tabs on casting provide a wobble-free installation.

Ceramic Disc Valve Cartridges: Assures a lifetime of drip-free performance.

Lead Free: Faucet contains $\leq 0.25\%$ total lead content by weighted average.

Longer Spout: Provides extended reach into lavatory.

Speed Connect® Drain:

- 1/3 the parts, installs in 1/3 the time.
- No tools or plumbers putty required for installation.
- No adjustments required - seals the first time, every time.
- Flexible stainless steel cable - installs effortlessly in tight spaces.

Simple One-Person Installation: Faucet drops in from top. Quick spin nuts secure faucet in place.

SUGGESTED SPECIFICATION

Dual control 4" centerpiece lavatory faucet shall feature a cast brass waterway. Shall also feature 1/4 turn washerless ceramic disc valve cartridges. Shall also feature a pop-up drain body with stainless steel cable actuation. Fitting shall be Eljer Model # 9211.201.002.

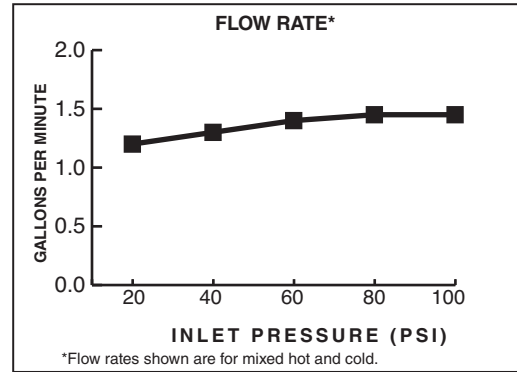


NEWBURGH™ TWO-HANDLE CENTERSET LAVATORY FAUCET

CODES AND STANDARDS

These products meet or exceed the following codes and standards:

- ANSI A117.1
- ASME A112.18.1
- CSA B 125
- NSF 61/Section 9 & Annex G



| Product Number | Description | Finish Options |
|----------------|-------------------------------------------------------------------------------------------------------------|-----------------|
| | | Polished Chrome |
| 9211.201 | Newburgh Dual Control Centerset Faucet with Metal Lever Handles and Non-Metallic Speed Connect® drain body. | 002 |

Meets the American Disabilities Act Guidelines and **ANSI A117.1** Requirements for the physically challenged.