

**CARILLO™ WHIRLPOOL AND SOAKING TUB**

- 025-0142R Cabrillo™ Whirlpool**
  - Alcove installation
  - Aproned with removable access panel
  - Eight fully adjustable Clean Jets™
  - Spacious interior, generous leg room
  - Comfortable, wide lumbar area
  - Integral arm rests
  - Integral tile flange
  - Right hand outlet
  - Heater blank (heater purchased separately)
  - Limited Lifetime Warranty
  - Pre-leveled tub bottom
  - Safety suction system stops water flow if obstructed
  - Push button on/off switch
  - Durable acrylic construction
  
- 035-0142R Cabrillo™ Air Bath**
  - Bath with gentle air bubble massage system
  - Electronic control pad
  - Right hand outlet
  
- 045-0142R Cabrillo™ Whirlpool & Air Combination**
  - Same as 025-0142R plus Air Bath system and electronic control pad
  
- 015-0142R Cabrillo™ Soaking Tub**
  - Right hand outlet
  
- 025-014RL Cabrillo™ Whirlpool**
  - Same as 025-0142R except left hand outlet
  
- 035-0142L Cabrillo™ Air Bath**
  - Same as 035-0142R except left hand outlet
  
- 045-0142L Cabrillo™ Whirlpool & Air Bath Combination**
  - Same as 045-0142R except left hand outlet
  
- 015-0142L Cabrillo™ Soaking Tub**
  - Left hand outlet



**To Be Specified - Required:**

- Color:
- Bath Filler: (specify finish)
- Bath Drain: (specify finish)  
 Recommended: American Standard 1640.305.XXX (specify finish) Deep Soak® drain

**Factory Installed - Options:**

- All models:
- Chromotherapy LED lights (3) with control pad - add "**K2**" suffix to model number
- Whirlpool and Air/Whirlpool combination models:
- Heater - add "**H**" suffix to model number
  - Heater and chromotherapy kit - add "**HK2**" suffix to model number (example: 025-0142R**HK2**)

**Optional Accessories:**

- 494-8505 - Remote control for chromotherapy
- 494-1000 - In-line heater (field installed)

**Nominal Dimensions:**

60" x 32" x 20-1/2"  
 (1524 x 813 x 521mm)

**Compliance Certifications -**

**Meets or Exceeds the Following Specifications:**

- Underwriters Laboratories - Hydromassage Bathtubs UL 1795
- ASME A112.19.7/CSA B45.10
- IAPMO Z124.1.2

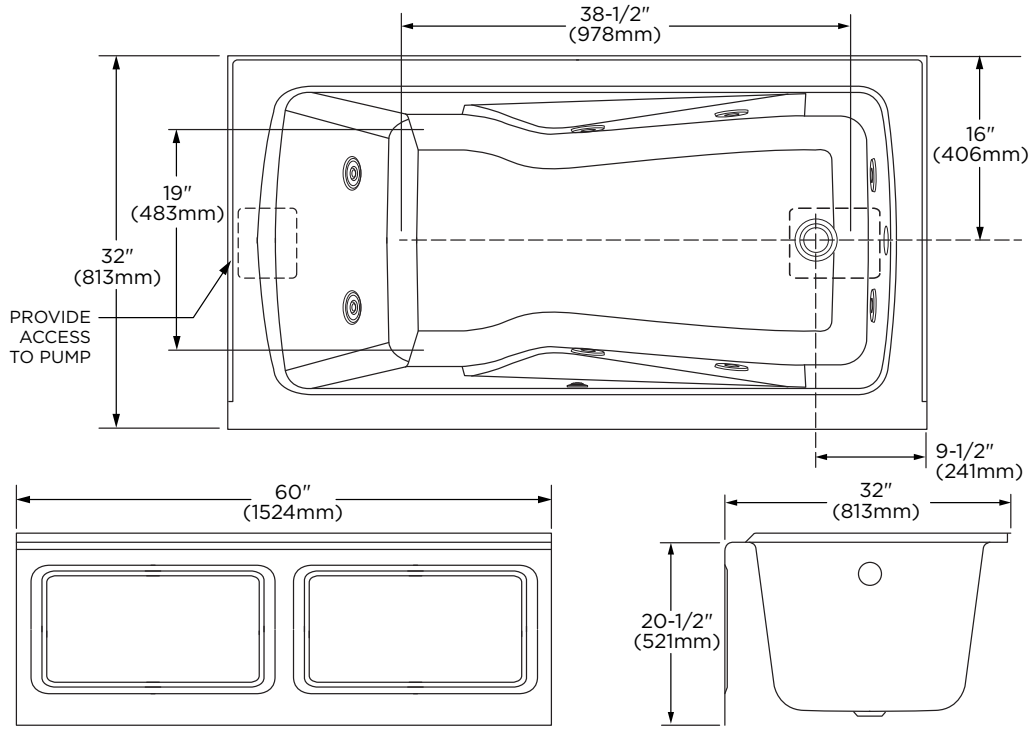
For color/finish availability and other faucet choices, please see [www.eljer.com](http://www.eljer.com)

\* **NOTE:** Whirlpool heater is designed to maintain water temperature during operation. It will not heat cold water to desired bathing temperature.

SEE REVERSE SIDE FOR ROUGHING-IN DIMENSIONS AND PRODUCT SPECIFICATIONS

**MODEL 025-0142R/L**

Right hand drain shown



<b>GENERAL SPECIFICATIONS FOR CABRILLO™ WHIRLPOOL</b>	
INSTALLED SIZE	60 x 32 x 20-1/2 In. (1524 x 813 x 520mm)
WEIGHT	124 Lbs. (56 Kg.)
WEIGHT w/WATER	699 Lbs. (318 Kg.)
GAL. TO OVERFLOW	69 Gal. (261 L)
BATHING WELL AT SUMP	18" X 36" (457 x 914mm)
WATER DEPTH TO OVERFLOW	16 In. (406mm)
FLOOR LOADING (PROJECTED AREA)	52 Lbs./Sq.Ft. (256 Kgs./Sq.m)
PTS.	15.28
CUBE (FT <sup>3</sup> )	25.91

**NOTES:**

REFER TO INSTALLATION INSTRUCTIONS SUPPLIED FOR ADDITIONAL INFORMATION.

FITTINGS NOT INCLUDED AND MUST BE ORDERED SEPARATELY.

PROVIDE SUITABLE REINFORCEMENT FOR ALL SUPPORTS.

IF INSTALLING A DECK-MOUNTED FITTING, BEFORE DRILLING ANY HOLES: CHECK FOR INTERFERENCE WITH CIRCULATING SYSTEM PIPING, DRAIN OVERFLOW, AND APRON INSTALLATION. MOUNTING HOLES DRILLED BY INSTALLER.

**IMPORTANT:** Dimensions of fixtures are nominal and may vary within the range of tolerances established by ANSI Standard Z124.1.2. These measurements are subject to change or cancellation. No responsibility is assumed for use of superseded or voided pages.