

LaSALLE™ XL WHIRLPOOL AND SOAKING TUB

025-0141 LaSALLE™ XL Whirlpool

- Transitional styling
- Ten fully adjustable Clean Jets™
- Contoured backrest and curved armrests
- Drop-in alcove or under-mount installation
- Textured bottom for slip-resistance
- Factory installed options available
- Extra soaking depth when used with Deep Soak® drain
- Safety suction system stops water flow when obstructed
- Limited Lifetime Warranty
- Pre-leveled base
- Push button on/off switch
- Durable acrylic construction

035-0141 LaSalle™ XL Air Bath

- Bath with gentle air bubble massage system
- * Electronic control pad

045-0141 LaSalle™ XL Whirlpool & Air Combination

- Same as 025-0141 plus Air Bath system and electronic control pad and includes factory installed whirlpool heater

015-0141 LaSalle™ XL Soaking Tub

Nominal Dimensions:

72" x 36" x 21"
 (1829 x 914 x 533mm)

Compliance Certifications -

Meets or Exceeds the Following Specifications:

- Underwriters Laboratories - Hydromassage Bathtubs UL 1795
- ASME A112.19.7/CSA B45.10
- IAPMO Z124.1.2

SEE REVERSE FOR PRODUCT DIMENSIONS AND SPECIFICATIONS

For color/finish availability and other faucet choices, please see www.eljer.com

* **NOTE:** Whirlpool heater is designed to maintain water temperature during operation. It will not heat cold water to desired bathing temperature.



To Be Specified - Required:

- Color:
- Bath Filler: (specify finish)
 Recommended: 7420901.002
 (check deck width prior to mounting on unit)
- Bath Drain:
 Recommended: American Standard 1640.305.XXX
 (specify finish) Deep Soak® drain

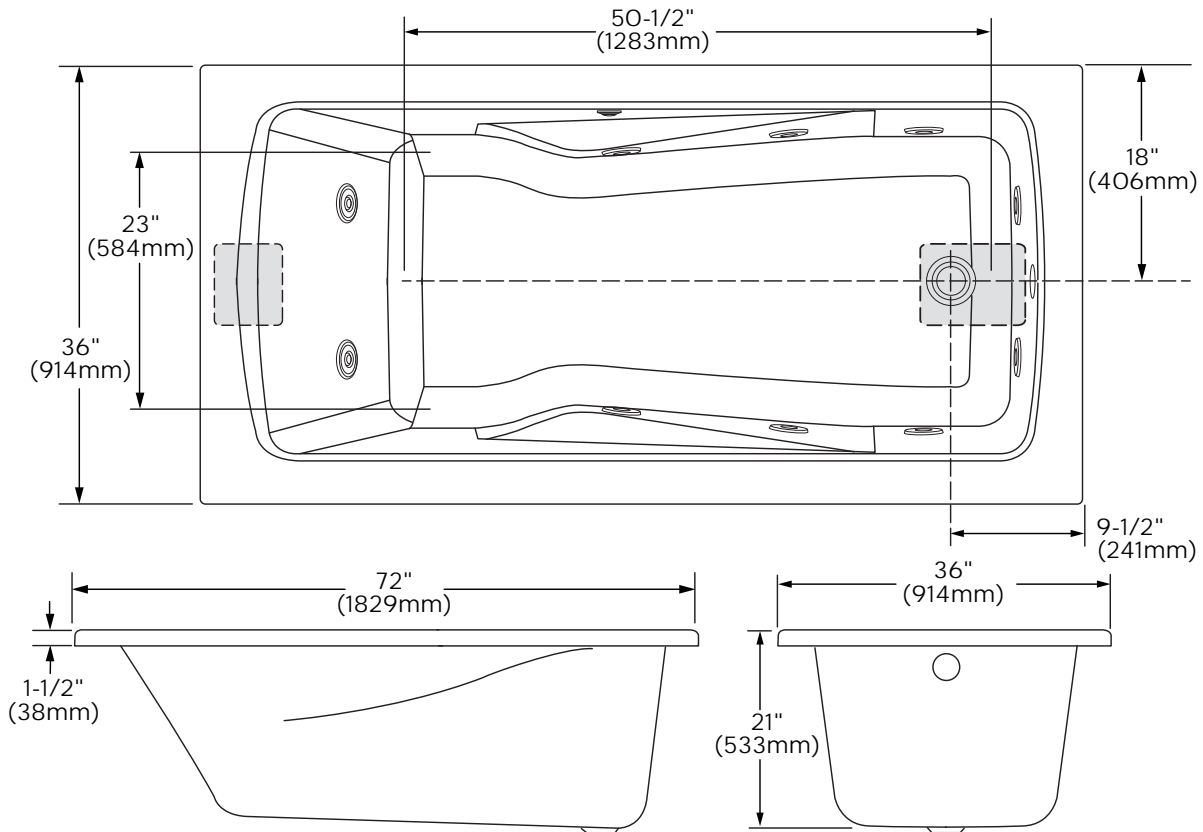
Factory Installed - Options:

- All models:
- Chromotherapy LED lights (3) with control pad - add "**K2**" suffix to model number
- Whirlpool and Air/Whirlpool combinations:
- Heater - add "**H**" suffix to model number
 - Heater and chromotherapy kit - add "**HK2**" suffix to model number (example: 025-0141**HK2**)

Optional Accessories:

- 494-1000 - In-line heater* (field installed)
- 494-8505-00 - Remote control for chromotherapy lights
- 494-0060 - Attachable tile flange - cut to desired length
- 415-0016 - Acrylic apron
- 415-0066 - Acrylic apron with removable access panel

MODEL 025-0141



GENERAL SPECIFICATIONS FOR LaSALLE™ XL TOTAL MASSAGE WHIRLPOOL

INSTALLED SIZE	72 x 36 x 21 In. (1829 x 914 x 533mm)
WEIGHT	112 Lbs. (51 Kg.)
WEIGHT w/WATER	862 Lbs. (392 Kg.)
GAL. TO OVERFLOW	90 Gal. (341 L.)
BATHING WELL AT SUMP	22" X 47" (559 X 1194 mm)
WATER DEPTH TO OVERFLOW	17 In. (432mm)
FLOOR LOADING	48 Lbs./Sq. Ft. (234 Kgs/Sq. m.)
(PROJECTED AREA)	
PTS.	13.75
CUBE (FT ³)	34.13

NOTES:

BATH CAN BE INSTALLED EITHER ABOVE OR BELOW FLOOR LINE AS PIER, ISLAND, OR PENINSULA TYPE INSTALLATION. SUPPORT OF BATH BY SUMP BEDDING. SUPPORT AND ENCLOSING MATERIAL BY OTHERS.

■ REFER TO INSTALLATION INSTRUCTIONS SUPPLIED WITH WHIRLPOOL FOR ADDITIONAL INFORMATION.

OPTIONAL 3 WALL TILE FLANGE KIT AVAILABLE AND MUST BE ORDERED SEPARATELY.

FITTINGS NOT INCLUDED AND MUST BE ORDERED SEPARATELY.

PROVIDE SUITABLE REINFORCEMENT FOR ALL SUPPORTS.

IMPORTANT: Dimensions of fixtures are nominal and may vary within the range of tolerances established by IAPMO Z124.1.2. These measurements are subject to change or cancellation. No responsibility is assumed for use of superseded or voided pages.